



WINDOW TECHNOLOGY
DOOR TECHNOLOGY
AUTOMATIC ENTRANCE SYSTEMS
BUILDING MANAGEMENT SYSTEMS



DOOR TECHNOLOGY – ORDER CATALOGUE



Panic exit devices with integrated latch: Push bars and touch bars complying with EN 1125



Securing technology for you



Panic exit devices with integrated latch in compliance with EN 1125

Table of contents



Push bar with integrated latch

Page

Detailed view	3
Comfortable operation – versatile applications	4
Installation variants on 1-leaf and 2-leaf doors	5
B 7130 push bar sets for 1-leaf doors	6
B 7130 push bar sets for 2-leaf doors	7
B 7130 push bar sets for 1-leaf and 2-leaf doors	8
B 7130 push bar with additional locks for 1-leaf and 2-leaf doors	9
B 7130 push bar with vertical locking for the passive leaf of 2-leaf doors.....	10
B 7130 push bar with special functions for 1-leaf doors	11
Accessories: Strikers	18
External hardware with lever handle / with knob	19

Touch bar with integrated latch

Detailed view	12
Comfortable operation – versatile applications	13, 14
B 7131 touch bar for 1-leaf and 2-leaf doors	15
B 7131 touch bar with additional locks for 1-leaf and 2-leaf doors	16
B 7131 touch bar with vertical locking for the passive leaf of 2-leaf doors	17
Accessories: Strikers	18
External hardware with lever handle / with knob	19

Copyright notice

© All illustrations and texts in this publication are protected by copyright. Unless otherwise stated in the image credits, the rights belong to the Gretsch-Unitas Group. Any use of copyright protected materials without the consent of the holder of the rights is prohibited.

Publisher

Gretsch-Unitas GmbH Baubeschläge

Johann-Maus-Str. 3 | D-71254 Ditzingen

Tel. + 49 (0) 71 56 3 01-0 | Fax + 49 (0) 71 56 3 01-2 93

www.g-u.com

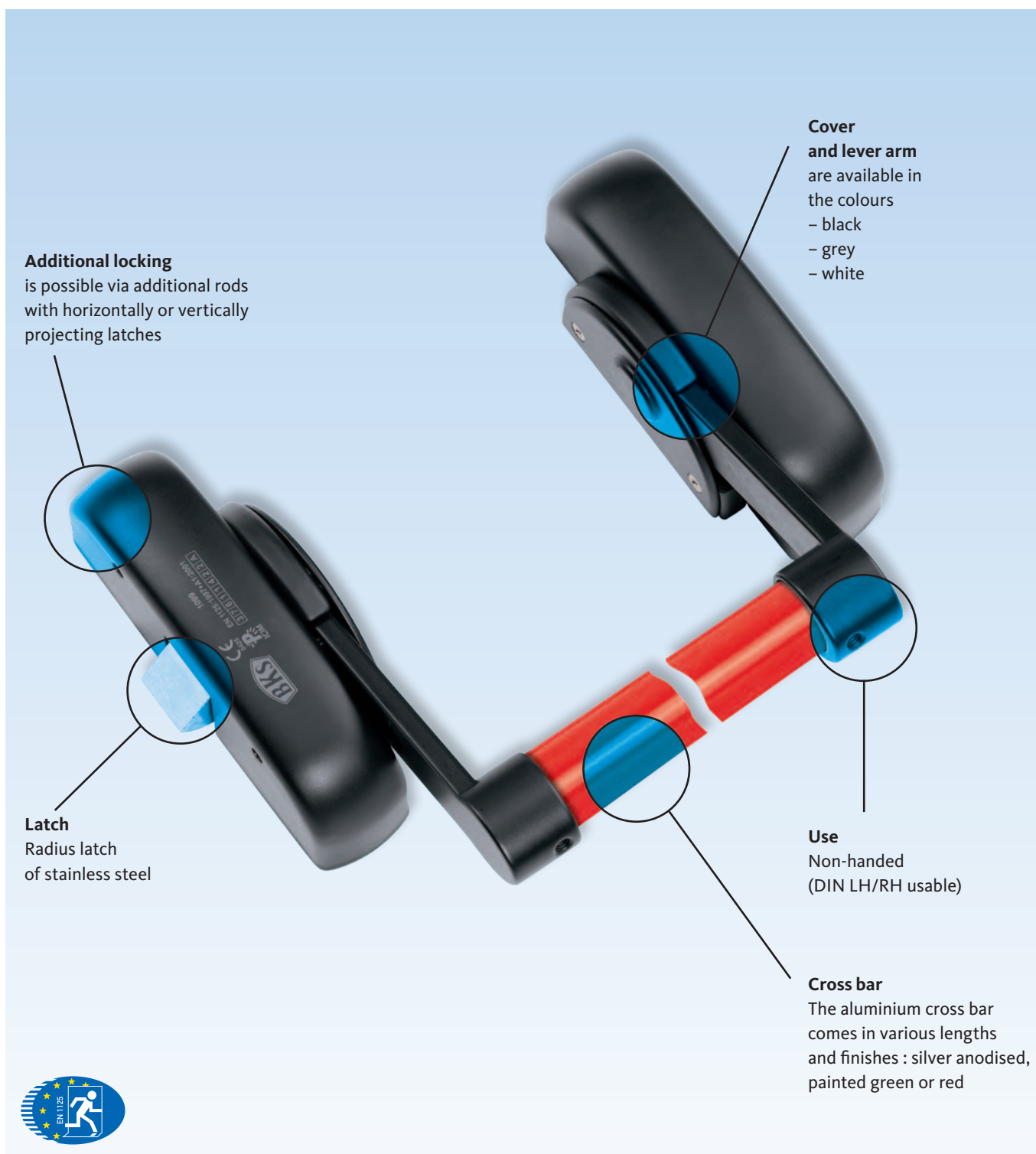
Push bars with integrated latch

Detailed view



The push bar with integrated latch combines proven technology with comfortable installation and operation. Available in various materials and designs, it allows for a multitude of applications.

Technically up-to-date and complying with EN 1125, the push bar is suitable for use with emergency exit devices and is approved for fire doors.



Push bars with integrated latch

Comfortable operation – versatile applications



Push bar actuator 1-point locking without additional lock

- BKS push bar for use on fire and smoke protection doors
- Non-handed (DIN LH/RH usable)
- Stainless steel latch, black, grey or white steel cover



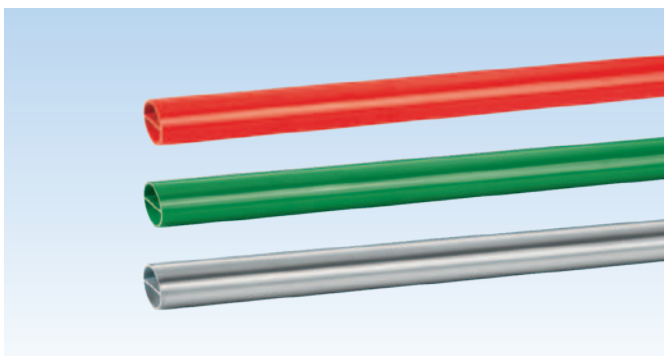
Push bar actuator for 2-leaf door systems

- Locking of passive leaf
- Top or bottom locking
- BKS push bar for use on fire and smoke protection doors
- Non-handed (DIN LH/RH usable)



Top and bottom locking or lateral locking

- Optional top and bottom locking or lateral locking, rod cover of painted aluminium
- BKS locking devices for use fire and smoke protection doors and escape doors
- Non-handed (DIN LH/RH usable)



Cross bars

Versions:

- Red
- Green
- Silver colour
- Cross bar length 1150 mm or 1450 mm

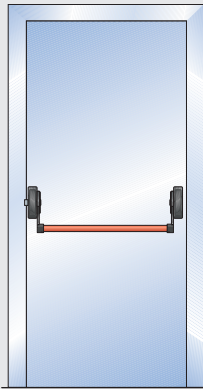
Push bars with integrated latch

Installation variants on 1-leaf and 2-leaf doors

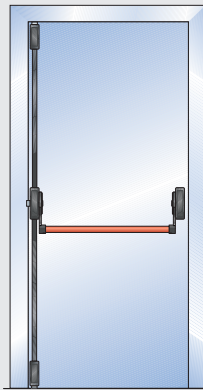


1-leaf doors

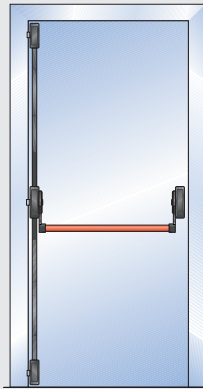
Active leaf



Active leaf



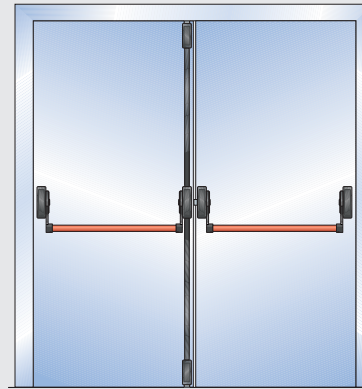
Active leaf



2-leaf doors

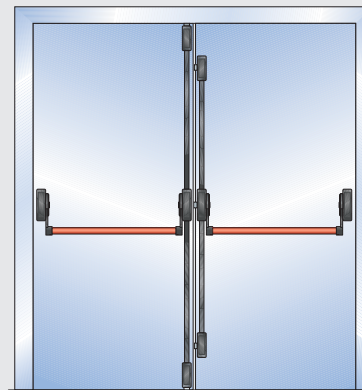
Passive leaf

Active leaf



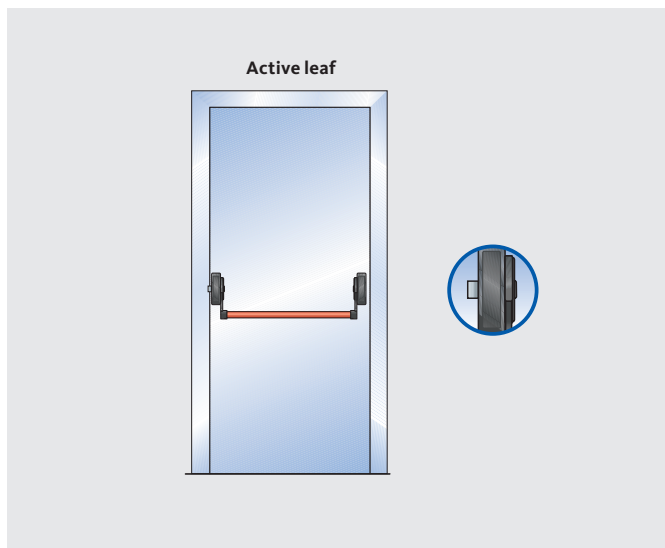
Passive leaf

Active leaf



B 7130 push bar with integrated latch

Sets for 1-leaf doors

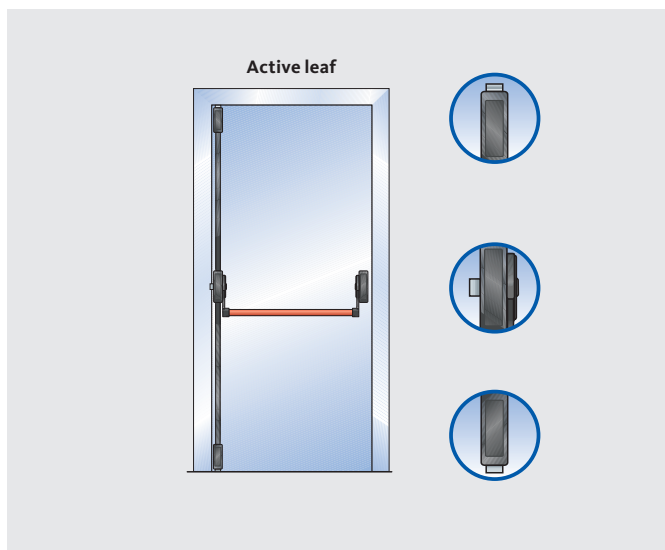


Push bar 1-point locking without additional lock

Versions / Order numbers

Active leaf set			
Cover and lever arm	Cross bar	Length	Order number
black	red	1150 mm	B 7130 8002
	green		B 7130 8004
	silver colour		B 7130 8000

incl. latch striker

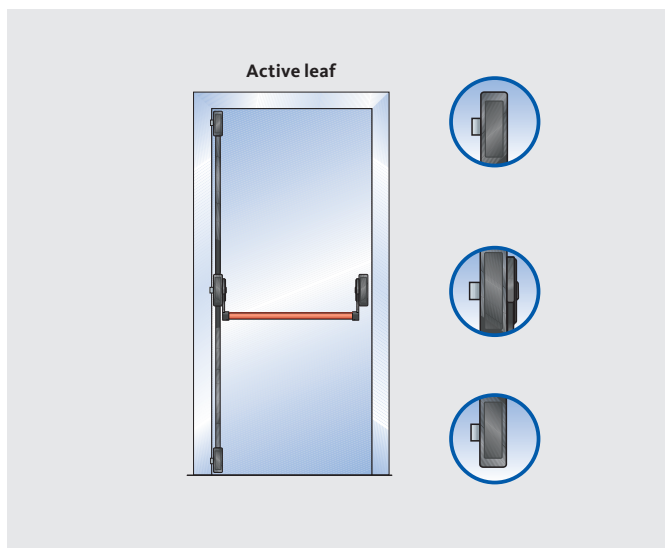


Push bar 3-point locking, vertical

Versions / Order numbers

Active leaf set			
Cover and lever arm	Cross bar	Length	Order number
black	red	1150 mm	B 7130 8202
	green		B 7130 8204
	silver colour		B 7130 8200

including strikers and floor striker



Push bar 3-point locking, lateral

Versions / Order numbers

Active leaf set			
Cover and lever arm	Cross bar	Length	Order number
black	red	1150 mm	B 7130 8302
	green		B 7130 8304
	silver colour		B 7130 8300

including strikers

B 7130 push bar with integrated latch

Sets for 2-leaf doors



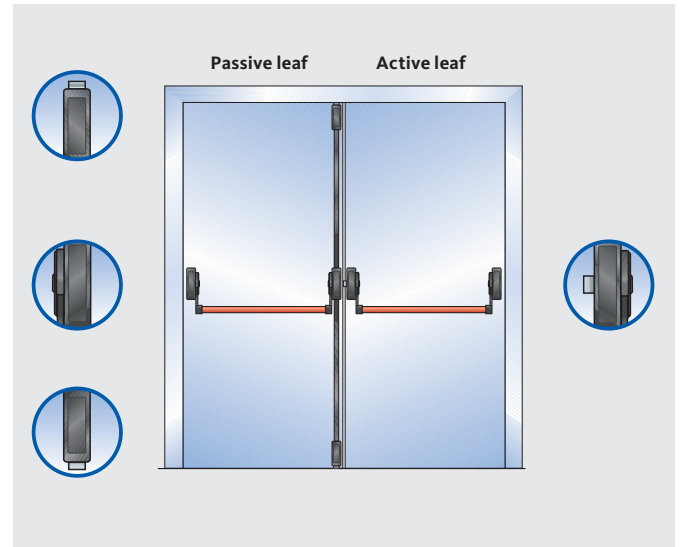
Push bar 1-point locking on active leaf 2-point locking on passive leaf

Versions / Order numbers

Active and passive leaf set

Cover and lever arm	Cross bar	Length	Type of set	Order number
black	red	1150 mm	Active leaf	B 7130 8002
			Passive leaf	B 7130 8102
	green		Active leaf	B 7130 8004
			Passive leaf	B 7130 8104
	silver colour		Active leaf	B 7130 8000
			Passive leaf	B 7130 8100

including strikers and floor striker



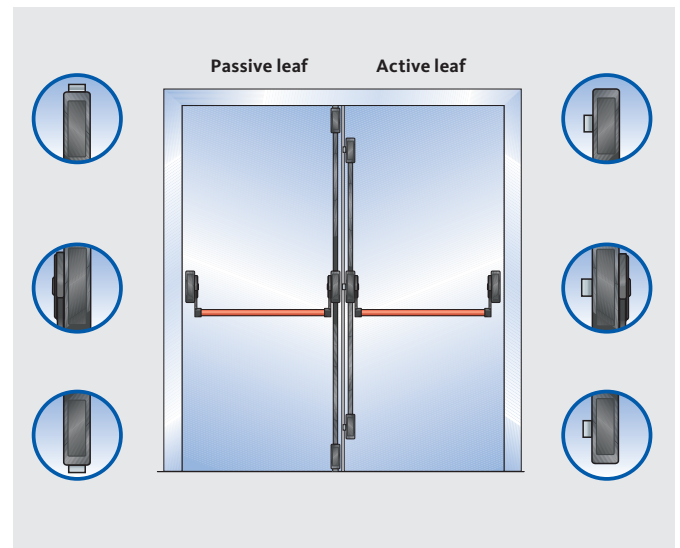
Push bar 3-point locking on active leaf 2-point locking on passive leaf

Versions / Order numbers

Active and passive leaf set

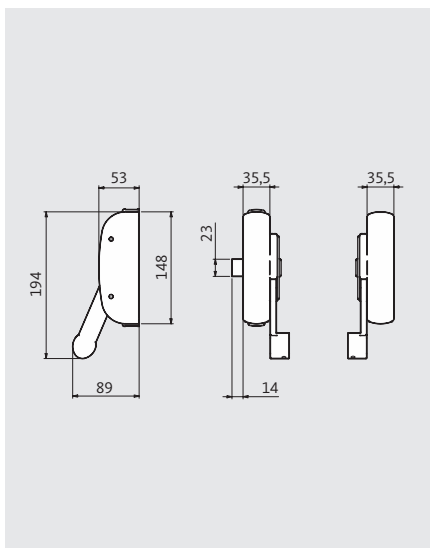
Cover and lever arm	Cross bar	Length	Type of set	Order number
black	red	1150 mm	Active leaf	B 7130 8302
			Passive leaf	B 7130 8102
	green		Active leaf	B 7130 8304
			Passive leaf	B 7130 8104
	silver colour		Active leaf	B 7130 8300
			Passive leaf	B 7130 8100

including strikers and floor striker



B 7130 push bar with integrated latch

for 1-leaf and 2-leaf doors



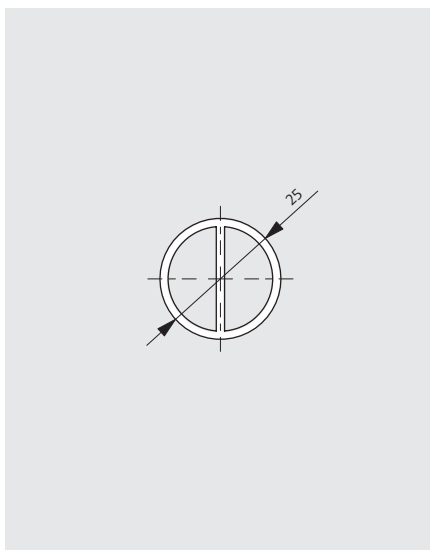
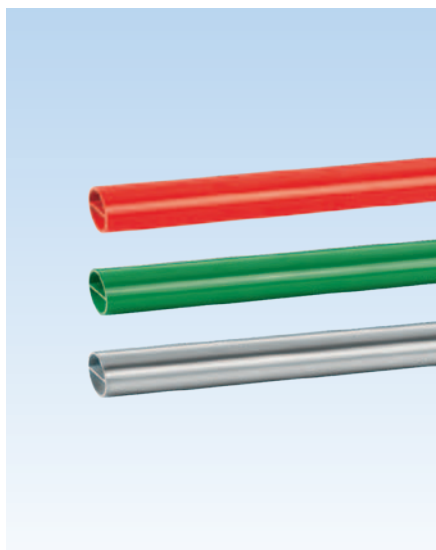
Push bar actuator 1-point locking without additional lock

Versions / Order numbers

Active leaf set

black	grey	white
B 7130 1000	B 7130 1001	B 7130 1002

incl. latch striker



Cross bars

Versions / Order numbers

Cross bar 1150 mm

red	green	silver colour
B 7130 7103	B 7130 7104	B 7130 7105

Cross bar 1450 mm

red	green	silver colour
B 7130 7203	B 7130 7204	B 7130 7205

B 7130 push bar with integrated latch

with additional locks for 1-leaf and 2-leaf doors

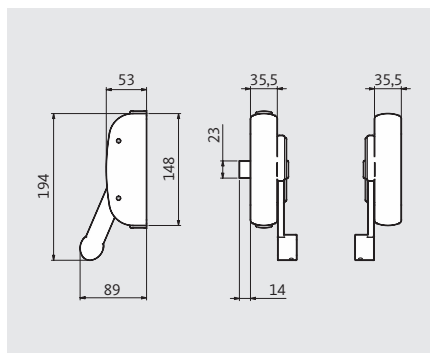


Push bar actuator prepared for top/bottom and lateral locking

Versions / Order numbers

Active leaf set		
black	grey	white
B 7130 1200	B 7130 1201	B 7130 1202

incl. latch striker

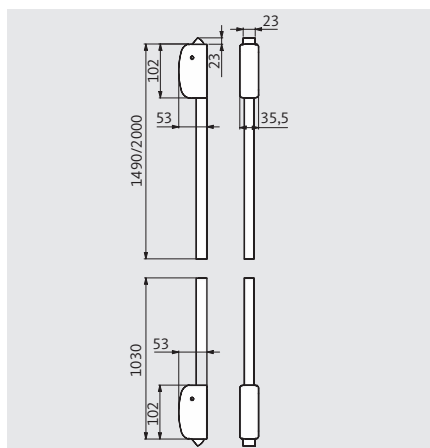


Locking to top and bottom

Versions / Order numbers

Set for Dim A 1490 mm		
black	grey	white
B 7130 4100	B 7130 4101	B 7130 4102
Set for Dim A 2000 mm		
black	grey	white
B 7130 4110	B 7130 4111	B 7130 4112

including top and floor striker

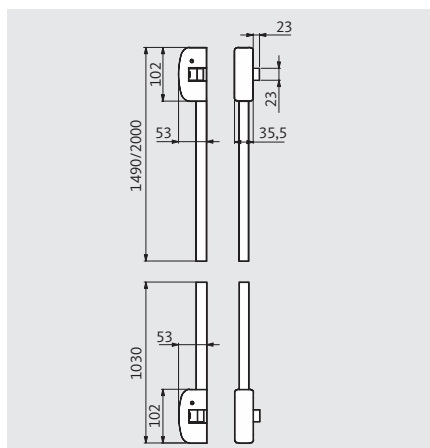


Lateral locking

Versions / Order numbers

Set for Dim A 1490 mm		
black	grey	white
B 7130 4200	B 7130 4201	B 7130 4202
Set for Dim A 2000 mm		
black	grey	white
B 7130 4210	B 7130 4211	B 7130 4212

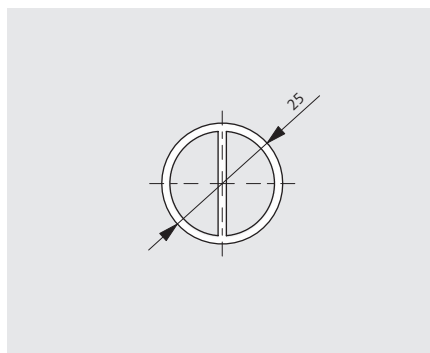
including strikers



Cross bars

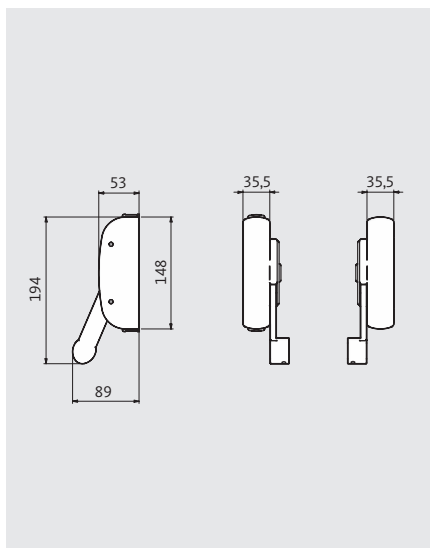
Versions / Order numbers

Cross bar 1150 mm		
red	green	silver colour
B 7130 7103	B 7130 7104	B 7130 7105
Cross bar 1450 mm		
red	green	silver colour
B 7130 7203	B 7130 7204	B 7130 7205



B 7130 push bar with integrated latch

for passive leaf of 2-leaf doors, vertical locking



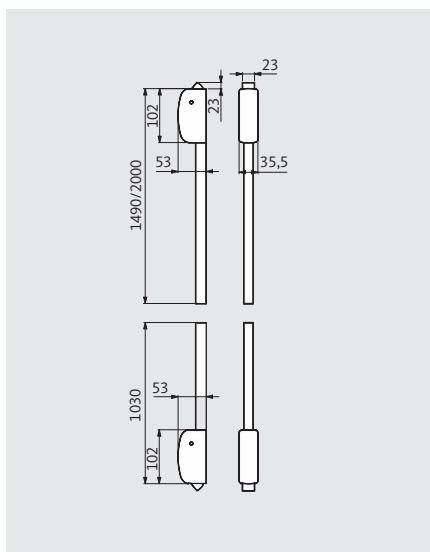
Push bar actuator for passive leaf

Versions / Order numbers

Passive leaf set

black	grey	white
B 7130 1100	B 7130 1101	B 7130 1102

incl. latch striker



Locking to top and bottom

Versions / Order numbers

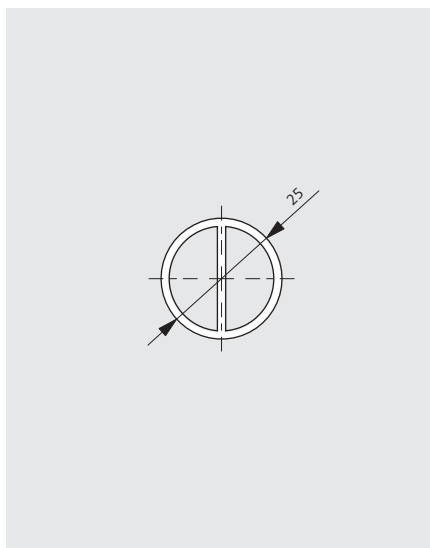
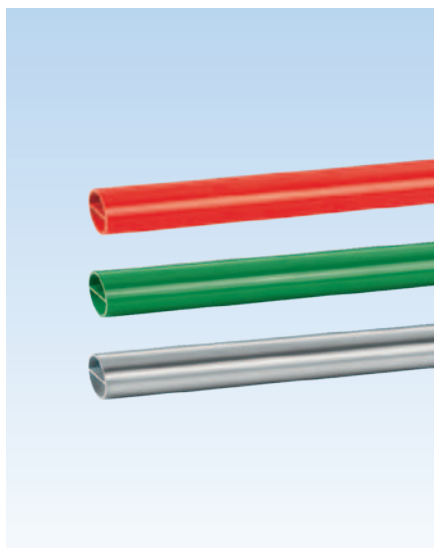
Set for Dim A 1490 mm

black	grey	white
B 7130 4100	B 7130 4101	B 7130 4102

Set for Dim A 2000 mm

black	grey	white
B 7130 4110	B 7130 4111	B 7130 4112

including top and floor striker



Cross bars

Versions / Order numbers

Cross bar 1150 mm

red	green	silver colour
B 7130 7103	B 7130 7104	B 7130 7105

Cross bar 1450 mm

red	green	silver colour
B 7130 7203	B 7130 7204	B 7130 7205

B 7130 push bar with integrated latch

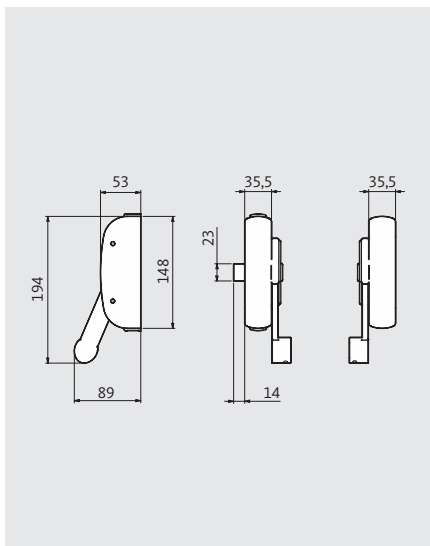
with special functions for 1-leaf doors



Push bar actuator 1-point locking, with latch retaining function

Versions / Order numbers

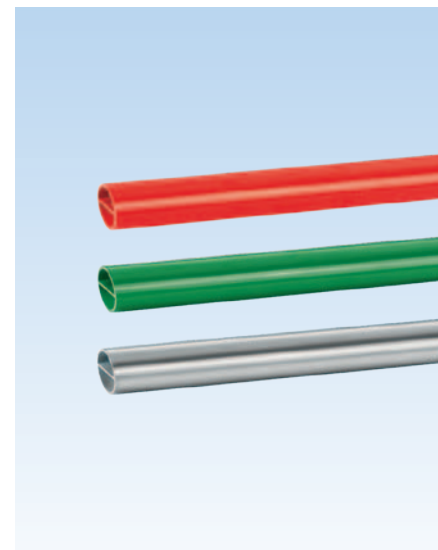
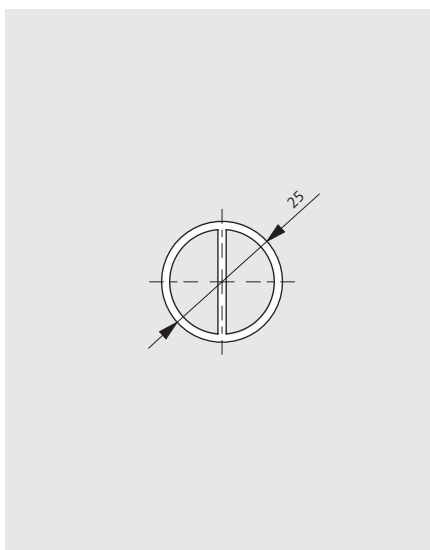
Active leaf set		
black	grey	white
B 7130 1010	B 7130 1011	B 7130 1012
incl. latch striker		



Cross bars

Versions / Order numbers

Cross bar 1150 mm		
red	green	silver colour
B 7130 7103	B 7130 7104	B 7130 7105
Cross bar 1450 mm		
red	green	silver colour
B 7130 7203	B 7130 7204	B 7130 7205



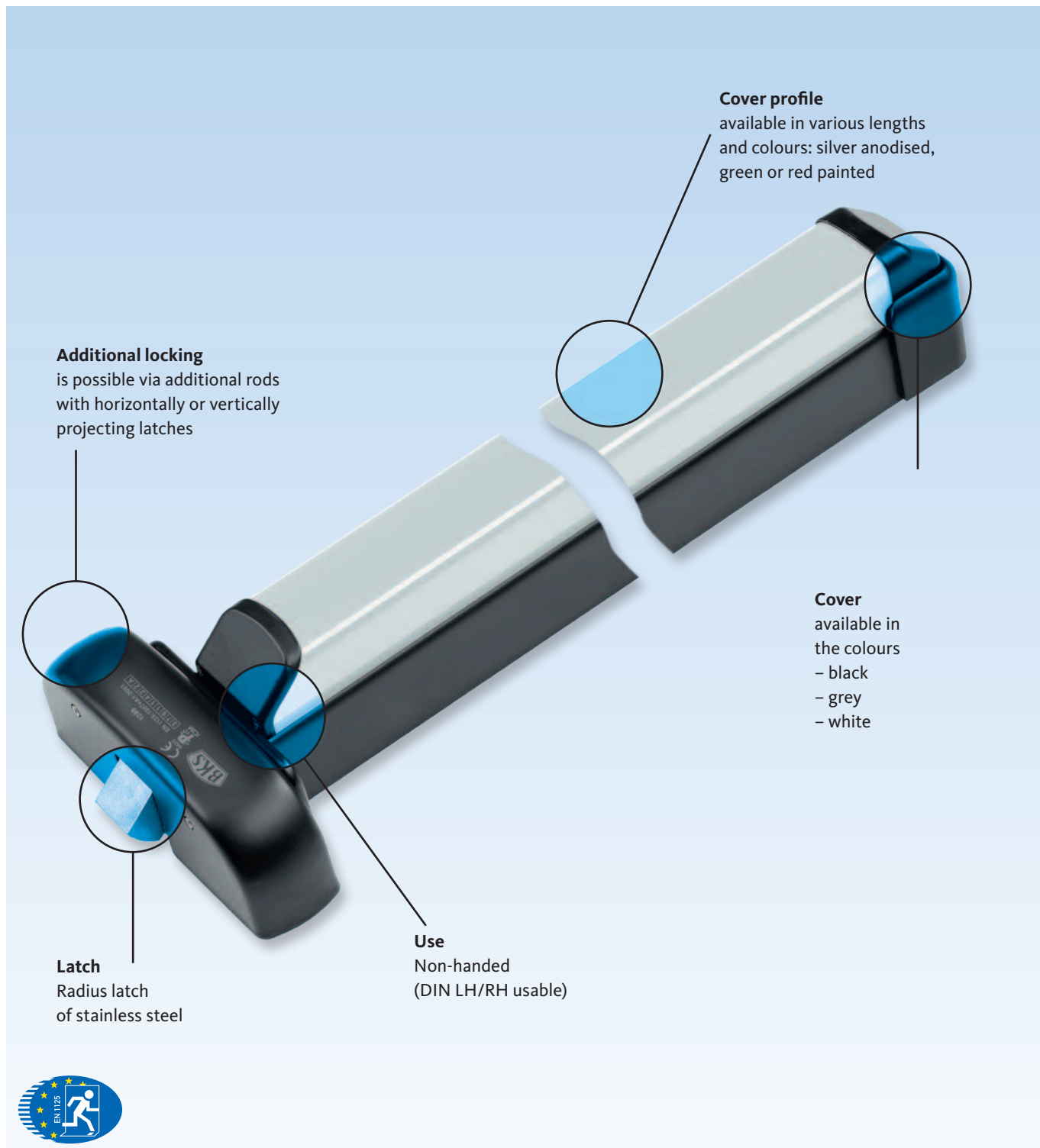
Touch bars with integrated latch

Detailed view



The touch bar with integral lock combines proven technology with comfortable installation and operation. Available in various materials and designs, it allows for a multitude of applications.

Technically up-to-date and complying with EN 1125, the push bar is suitable for use with emergency exit devices and is approved for fire doors.



Touch bars with integrated latch

Comfortable operation – versatile applications



Touch bar 1-point locking without additional lock

- BKS touch bar for the use on smoke and fire protection doors and escape doors
- Non-handed (DIN LH/RH usable)
- Stainless steel latch; cover black, grey or white



Touch bar for 2-leaf door systems

- Locking of passive leaf
- Top or bottom locking
- BKS touch bar for the use on smoke and fire protection doors and escape doors
- Non-handed (DIN LH/RH usable)



Top and bottom locking

- Top and bottom locking, rod cover of painted aluminium
- BKS locking devices for use fire and smoke protection doors and escape doors
- Non-handed (DIN LH/RH usable)



Lateral locking

- Lateral locking, rod cover of painted aluminium
- BKS locking devices for the use on smoke protection, fire protection and escape doors
- Non-handed (DIN LH/RH usable)



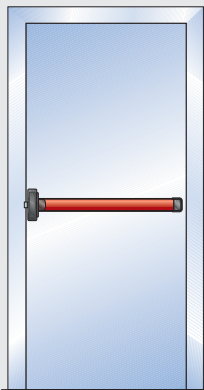
Touch bars with integrated latch

Installation variants on 1-leaf and 2-leaf doors

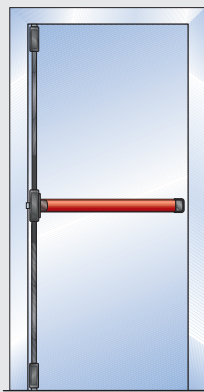


1-leaf doors

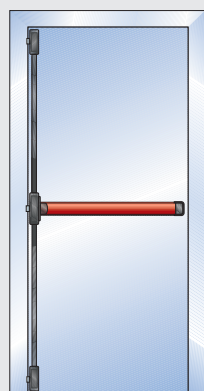
Active leaf



Active leaf



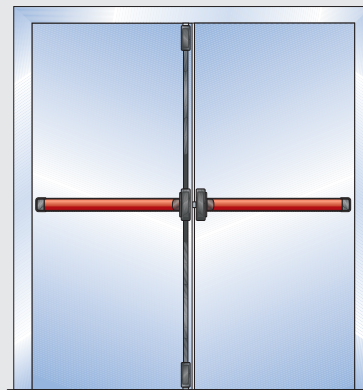
Active leaf



2-leaf doors

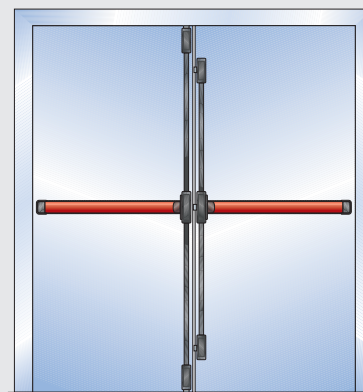
Passive leaf

Active leaf



Passive leaf

Active leaf



B 7131 touch bar with integrated latch

for 1-leaf and 2-leaf doors

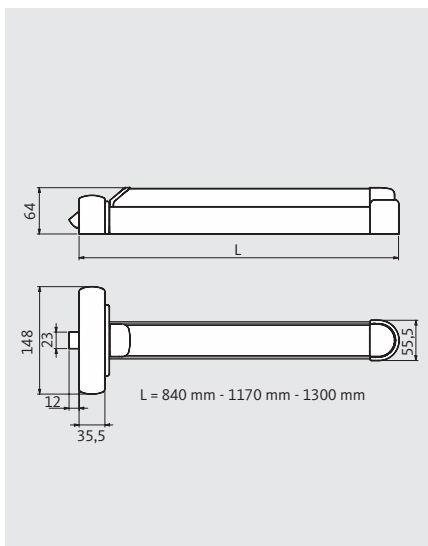


Touch bar 1-point locking without additional lock

Versions / Order numbers

Active leaf set			
Base profile	Cover profile	Length	Order number
black	red	840 mm	B 7131 1003
black	red	1170 mm	B 7131 1103
black	red	1300 mm	B 7131 1203

incl. latch striker

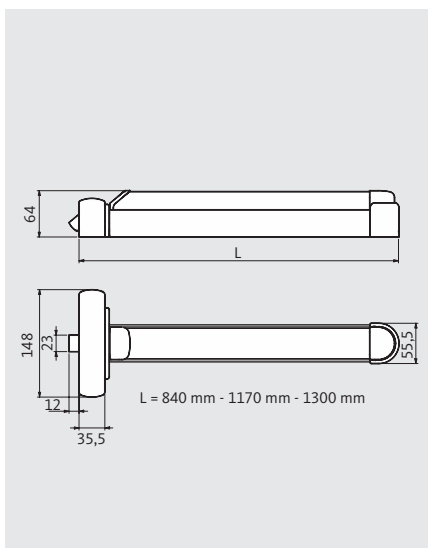


Cover profile red

Versions / Order numbers

Active leaf set			
Base profile	Cover profile	Length	Order number
black	green	840 mm	B 7131 1004
black	green	1170 mm	B 7131 1104
black	green	1300 mm	B 7131 1204

incl. latch striker

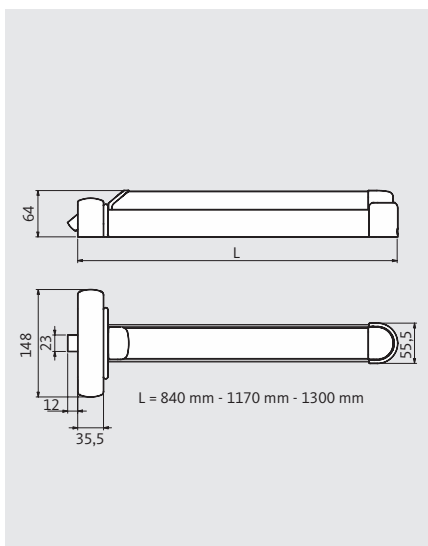


Cover profile green

Versions / Order numbers

Active leaf set			
Base profile	Cover profile	Length	Order number
black	silver	840 mm	B 7131 1005
black	silver	1170 mm	B 7131 1105
black	silver	1300 mm	B 7131 1205

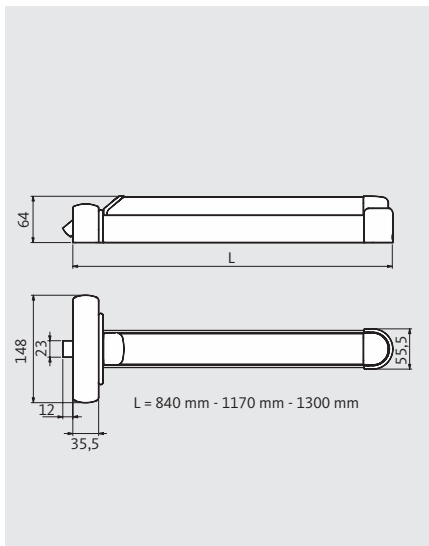
incl. latch striker



Cover profile silver colour

B 7131 touch bar with integrated latch

with additional locks for 1-leaf and 2-leaf doors



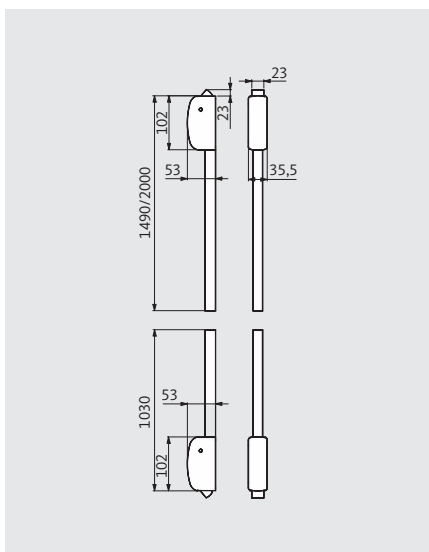
Touch bar

Versions / Order numbers

Active leaf set

Base profile	Cover profile	Length	Order number
black	red	840 mm	B 7131 3003
black	red	1170 mm	B 7131 3103
black	red	1300 mm	B 7131 3203
black	green	840 mm	B 7131 3004
black	green	1170 mm	B 7131 3104
black	green	1300 mm	B 7131 3204
black	silver	840 mm	B 7131 3005
black	silver	1170 mm	B 7131 3105
black	silver	1300 mm	B 7131 3205

incl. latch striker



Locking to top and bottom

Versions / Order numbers

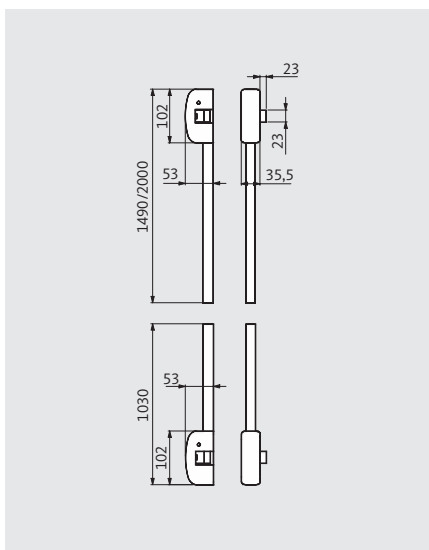
Set for Dim A 1490 mm

black	grey	white
B 7130 4100	B 7130 4101	B 7130 4102

Set for Dim A 2000 mm

black	grey	white
B 7130 4110	B 7130 4111	B 7130 4112

including top and floor striker



Lateral locking

Versions / Order numbers

Set for Dim A 1490 mm

black	grey	white
B 7130 4200	B 7130 4201	B 7130 4202

Set for Dim A 2000 mm

black	grey	white
B 7130 4210	B 7130 4211	B 7130 4212

including strikers

B 7131 touch bar with integrated latch

for passive leaf of 2-leaf doors, vertical locking

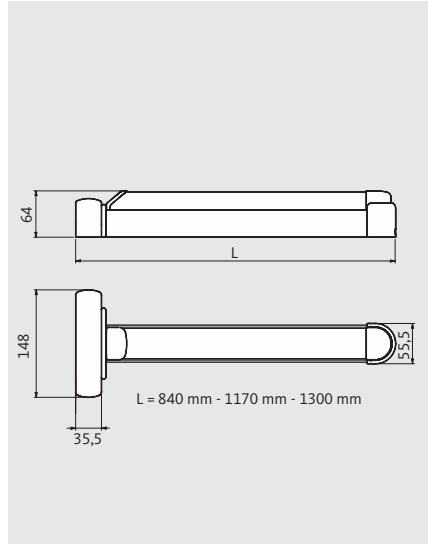


Touch bar for passive leaf

Versions / Order numbers

Passive leaf set			
Base profile	Cover profile	Length	Order number
black	red	840 mm	B 7131 2003
black	red	1170 mm	B 7131 2103
black	red	1300 mm	B 7131 2203
black	green	840 mm	B 7131 2004
black	green	1170 mm	B 7131 2104
black	green	1300 mm	B 7131 2204
black	silver	840 mm	B 7131 2005
black	silver	1170 mm	B 7131 2105
black	silver	1300 mm	B 7131 2205

incl. latch striker



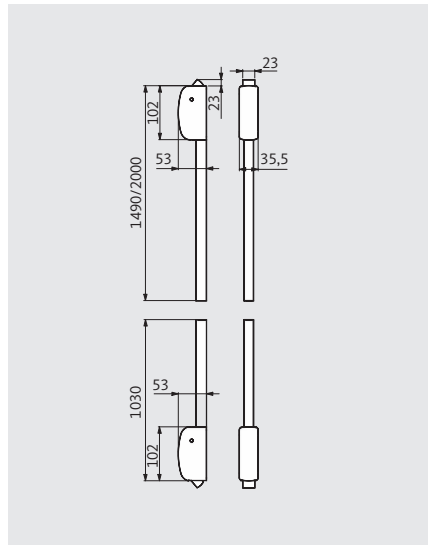
Locking to top and bottom

Versions / Order numbers

Set for Dim A 1490 mm		
black	grey	white
B 7130 4100	B 7130 4101	B 7130 4102

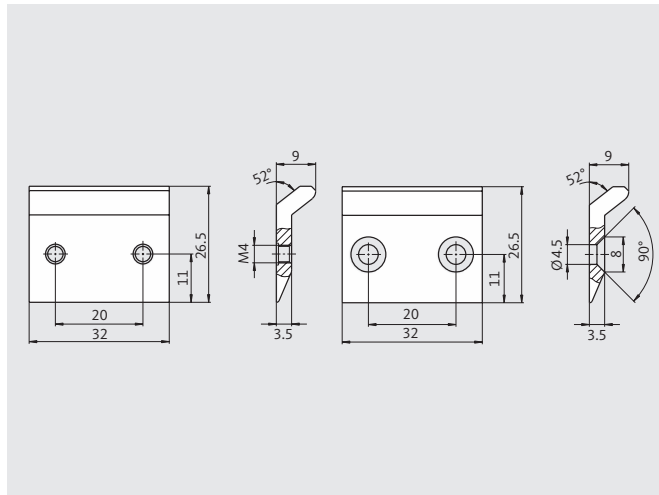
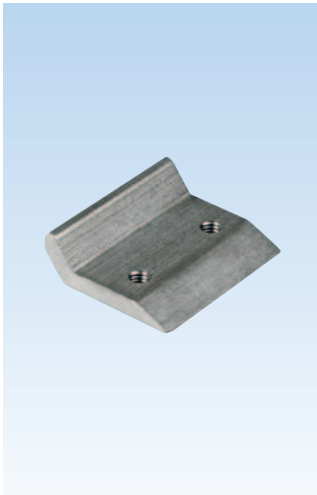
Set for Dim A 2000 mm		
black	grey	white
B 7130 4110	B 7130 4111	B 7130 4112

including top and floor striker



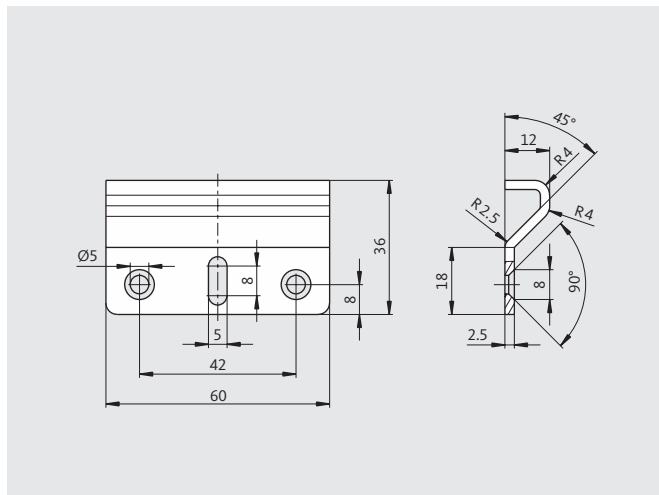
Accessories

Strikers



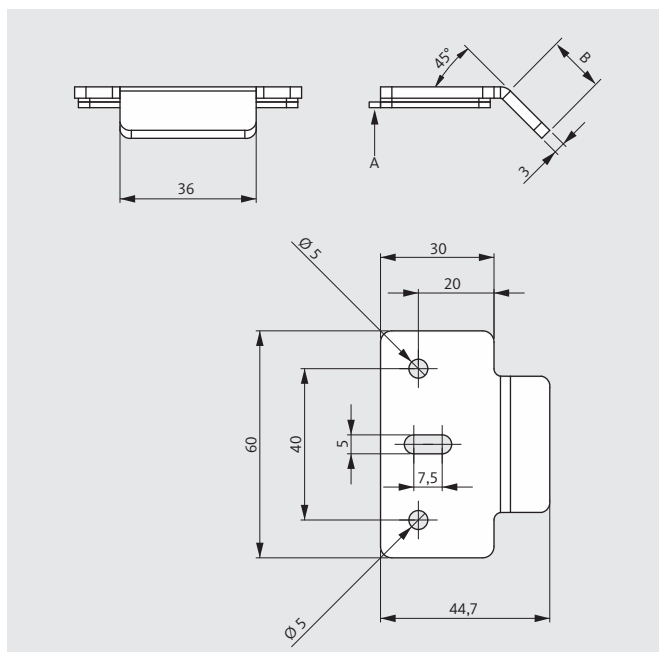
Striker for lateral and top locking

Version
Order number
B71306000



Floor striker

Version
Order number
B71305000



Striker for PVC

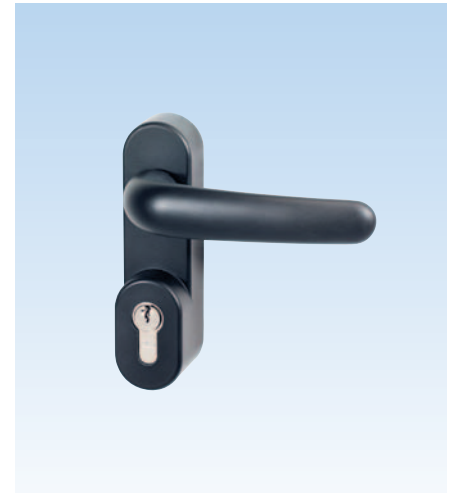
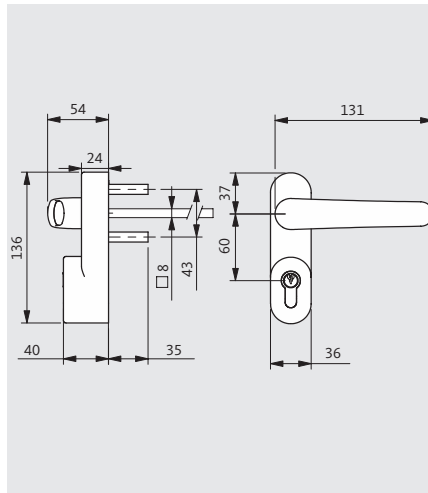
Size	A in mm	B in mm	Order number
1	14-17	16,9	B 7130 6010
2	17-20	21,2	B 7130 6011
3	20-23	25,4	B 7130 6012
4	23-25	29,6	B 7130 6013



External hardware with lever

Versions / Order numbers		
Half set		
black	grey	white
B 7130 3000	B 7130 3001	B 7130 3002

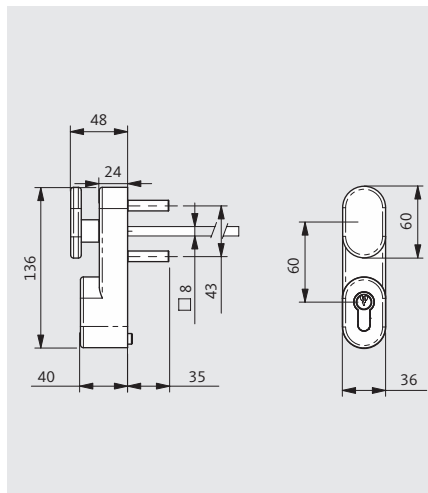
prepared for 31 mm cylinder length



External hardware with knob

Versions / Order numbers		
Half set		
black	grey	white
B 7130 3010	B 7130 3011	B 7130 3012

prepared for 31 mm cylinder length





WINDOW TECHNOLOGY
DOOR TECHNOLOGY
AUTOMATIC ENTRANCE SYSTEMS
BUILDING MANAGEMENT SYSTEMS

Gretsch-Unitas GmbH
Baubeschlage
Johann-Maus-Str. 3
D-71254 Ditzingen
Tel. + 49 (0) 7156 301-0
Fax + 49 (0) 7156 301-77980

BKS GmbH
Heidestr. 71
D-42549 Velbert
Tel. + 49 (0) 2051 201-0
Fax + 49 (0) 2051 201-9733

www.g-u.com

Securing technology for you

